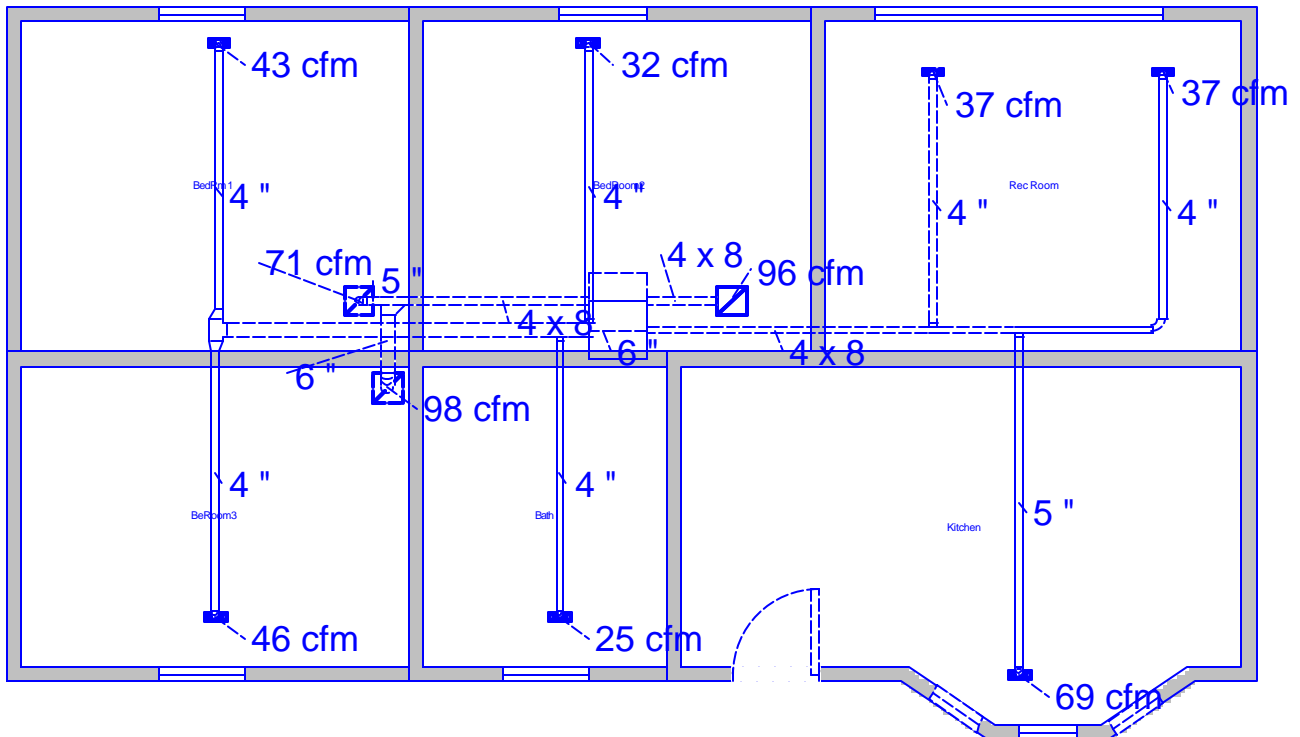


Main



Job #:
Performed by for:

J.D. Scharbach
P.O. Box 212
Davenport, WA 99122
Phone: 509 725 0096

Andrews Mechanical Inc.

2727 N. Madelia unit 8
Spokane, WA 99207
Phone: (509) 489-3860 Fax: (509) 489-6140

Scale: 1 : 80

Page 1
Right-Suite Residential
6.0.13 RSR31537
2005-May-05 11:39:09
C:\Documents and Settings\John\My ...